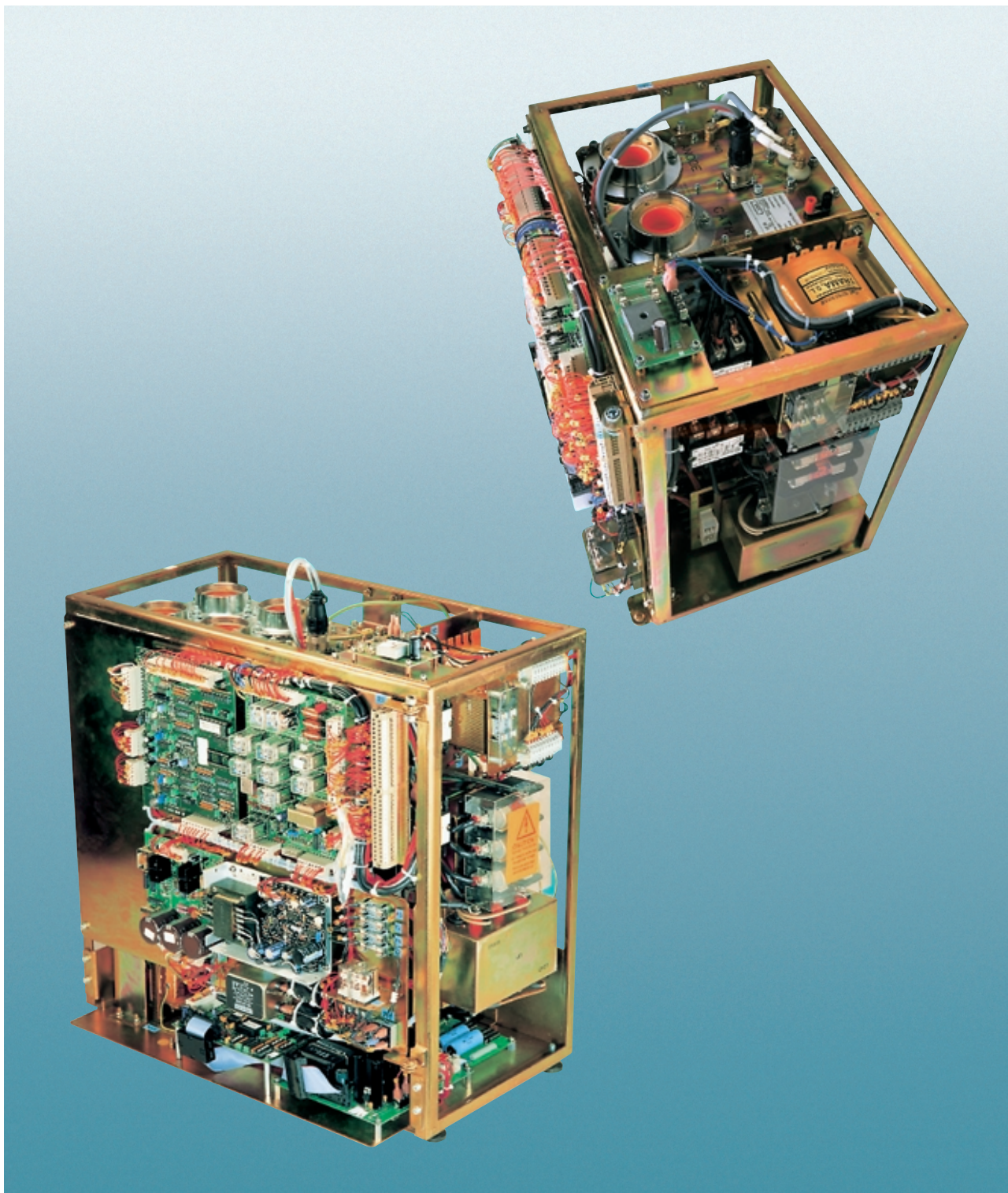


# BRG-R/RF Battery Powered H.F. X-Ray Generator



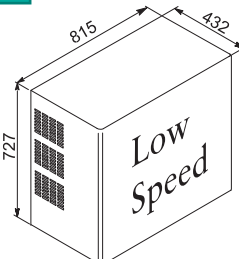
# BMI

SPECIFICATION	BATTERY POWERED		
	30 kW	40 kW	50 kW
Constant Potential Power Ratings	<b>30 kW</b>	<b>40 kW</b>	<b>50 kW</b>
Radiographic kVp Range in 1 kVp steps	40 - 125 / <b>150</b>	40 - 125 / <b>150</b>	40 - 125 / <b>150</b>
Accuracy	±(5%+1kVp)	±(5%+1kVp)	±(5%+1kVp)
mA range & stations	10, 12.5, 16, 20, 25, 32, 40, 50, 64, 80, 100, 125, 160, 200, 250, 320	10, 12.5, 16, 20, 25, 32, 40, 50, 64, 80, 100, 125, 160, 200, 250, 320, 400	10, 12.5, 16, 20, 25, 32, 40, 50, 64, 80, 100, 125, 160, 200, 250, 320, 400, 500
Accuracy	±(5%+1mA)	±(5%+1mA)	±(5%+1mA)
Power Output	320 mA @ 93 kVp 300 mA @ 100 kVp 250 mA @ 120 kVp 200 mA @ 150 kVp	400 mA @ 100 kVp 320 mA @ 125 kVp 250 mA @ 150 kVp	640 mA @ 78 kVp 500 mA @ 100 kVp 400 mA @ 125 kVp 320 mA @ 150 kVp
Exposure Time Range	0.001 - 10 seconds	0.001 - 10 seconds	0.001 - 10 seconds
Accuracy	±(1%+0.1 ms)	±(1%+0.1 ms)	±(1%+0.1 ms)
mAs Range (*)	0.1 - 500 mAs (*)	0.1 - 500 mAs (*)	0.1 - 500 mAs (*)
High Voltage Ripple (TYP)	<1 kVp @ 100 kVp	<1 kVp @ 100 kVp	<1 kVp @ 100 kVp
Automatic Exposure Control (up to 4 Chambers)	Optional	Optional	Optional
Tomo	Optional	Optional	Optional
Buckys (2 Units Standard)	Optional up to 4	Optional up to 4	Optional up to 4
Anatomical Programming	Optional	Optional	Optional
<b>Uninterruptible Power Supply <sup>1</sup></b>	<b>Optional</b>	<b>Optional</b>	<b>Optional</b>
Fluoroscopic kVp Range in 1 kVp Steps	40 - 120	40 - 120	40 - 120
Accuracy	±(5%+1kVp)	±(5%+1kVp)	±(5%+1kVp)
Fluoroscopy	at 50Hz      at 60 Hz	at 50Hz      at 60 Hz	at 50Hz      at 60 Hz
Fixed PPS	50 PPS      60 PPS	50 PPS      60 PPS	50 PPS      60 PPS
Variable PPS (Optional)	1, 5      1, 3, 6, 12.5, 25      15, 30	1, 5      1, 3, 6, 12.5, 25      15, 30	1, 5      1, 3, 6, 12.5, 25      15, 30
Automatic Brightness Control	Optional	Optional	Optional
3/2 Point Operation Console	3 P. Standard / 2 P. Optional	3 P. Standard / 2 P. Optional	3 P. Standard / 2 P. Optional
Line Voltage Range and Phases	110-230 VAC - Single Phase	110-230 VAC - Single Phase	110-230 VAC - Single Phase
<b>Automatic Line Compensation</b>	<b>± 15%</b>	<b>± 15%</b>	<b>± 15%</b>
<b>Storage capacity</b>	<b>52,500 mAs @ 100 kV</b>	<b>127,500 mAs @ 100 kV</b>	<b>127,500 mAs @ 100 kV</b>
Minimum Power Requirements According to IEC 601-2-7 = 2,200 W (x-ray tube + generator)			
<b><sup>1</sup>Uninterruptible Power Supply Option - (line power requirement = 500 W / (x-ray tube + generator))</b>			

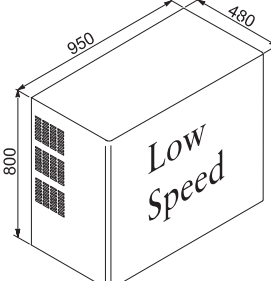
(\*) 640 mAs - on request

## POWER CABINET

**Dimensions**



**Rad / R&F**  
**1 Tube**  
**30 - kW**  
**Weight: 133 Kg**



**Rad / R&F**  
**1 Tube**  
**40 - 50 kW**  
**Weight: 185 Kg**



# BMI

ESSE 3 Via Garibaldi 30  
14022 Castelnuovo D.B. (AT)  
tel +39 011 99 27 706  
fax +39 011 99 27 506  
e-mail [esse3@chierinet.it](mailto:esse3@chierinet.it)  
web : [www.4ci.com](http://www.4ci.com)

